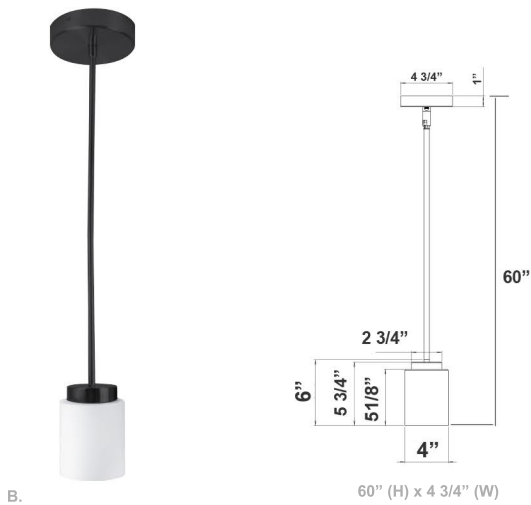
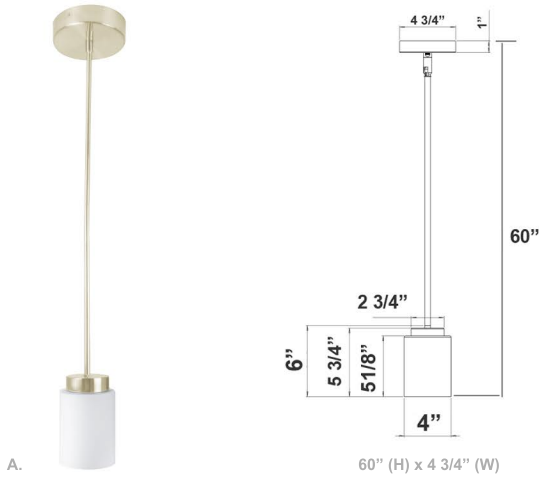


4" Glass Lens Pendant with 6ft. Adjustable Rod



Wattage

12W

Voltage Input

120V AC
50Hz / 60Hz

Efficacy

60 LPW

Dimming

Dimmable Down to 5% Compatible with TRIAC and ELV Dimmers

Finish

Glass Material: 5/64" (2mm) Thickness
Ultra Clear Glass
Brushed Nickel Finish

Color Temperatures



Beam Angles



Features



Catalog No.	Fig.
LCFE-MCT5-BN	A.
LCFE-MCT5-BK	B.